



# PANEL5000-C1853W-L/LH

v1.1 Touch Screen Monitor

---



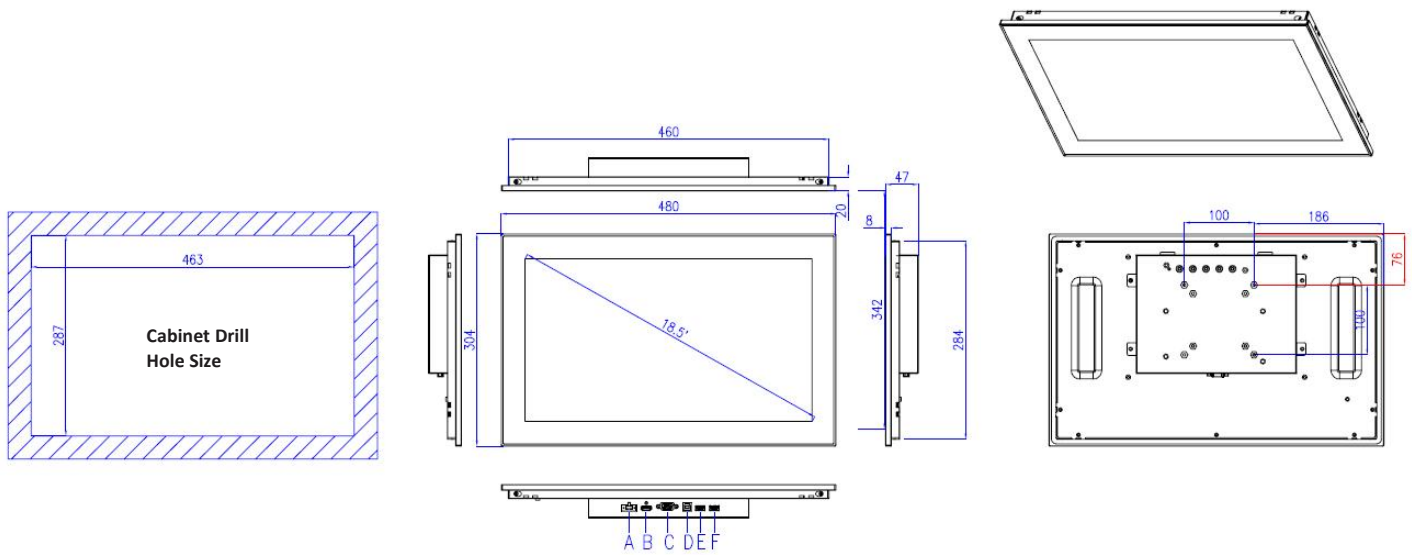
18.5" HD Capacitive Touch Screen  
Industrial Monitor



## Specifications

General	Control button	Set Contrast ratio and Luminance via OSD at the back panel
	Dimensions (W x H x D)	480mm x 304mm x 47mm (18.90" x 11.97" x 1.85")
	Drill Hole Size (W x H)	463mm x 287mm (18.23" x 11.30")
	Box structure	Front panel: aluminum-magnesium alloy, anodized coating ;Back cover: SGCC, Ground isolation protection
	Mounting	Support Embedded, wall-mounted, Desktop and VESA mounting
	Power Supply	DC 12 - 24V
	Power Dissipation	10W
	Signal input	VGA & HDMI
	NW	4.6kg(10.14lb)
LCD	LCD Size	18.5" HD TFT
	Resolution	1366 x768/1920*1080
	Colors	16.7MB
	Active Area (W x H)	409.8 x 230.4mm (16.13"x 9.07")/408.96 x 230.04mm(16.10"x9.06")
	Backlight	LED
	MTBF	30000hrs/50000hrs
	Pixel Pitch(H x V)	0.300 x 0.300/0.213x0.213
	Luminance	250cd/m2/350cd/m2
	Contrast Ratio	1000 : 1
	Viewing Angle	(L) 85 / (R) 85 / (T) 80 / (B)/ 80(L) 89/ (R) 89 / (T) 89 / (B) 89
Touchscreen	Type	Multi-point capacitive touch screen
	Transmittance	> 87%
	Controller interface	USB
	Driver Support	Windows XP, Windows 7, Winows8, Windows 10, Linux
	Multi-touch	10 points (windows system)
	Surface Hardness	Mohs' Number 7H
Environmental	Work Temperature	0 ~ 50° C (32~122 °F )
	Storage Temperature	-20 ~ 60° C (-4 ~ 140 °F )
	Relative humidity	5~95% RH@40°C, non-condensing
	Shake	Operating Random Vibration Test 5~500Hz, 1.5Grms@with SSD, follow IEC 60068-2-64
	Shock	Operating 10G peak acceleration (11ms duration), follow IEC 60068-2-27
	EMC	CE/FCC Class B
	Front Panel Protection	IP65 compliant

### Dimensions:



A: DC IN	B:HDMI	C:VGA	D:USBTOUCH	E:USB	F:USB
----------	--------	-------	------------	-------	-------

### Ordering Information:

Product Code	Description
PANEL5000-C1853W-L	18.5" TFT LCD / 1366*768 / 1xVGA / 1xHDMI / 2xUSB / Capacitive Touch Screen/DC12-24V
PANEL5000-C1853W-LH	18.5" TFT LCD / 1920*1080 / 1xVGA / 1xHDMI / 2xUSB / Capacitive Touch Screen/DC12-24V

### Packing List:

Hook	8*Hooks apply to Thickness=1mm~1.2mm
Terminal	2pin Phoenix terminal
VGA Cable	1.8M
USB Cable	1.8M

### Optional Equipment:

Adapter	12V/3.33A,40W 2pin Phoenix terminal
Chinese Standard Power Line	1.8M/ 3M /5M
VGA Cable	3M /5M
USB Cable	3M /5M
HDMI Cable	1.8M /3M /5M